

Boltza®

FASTENERS

WWW.ON1SHELF.COM

Boltza® T-type heavy-duty clamps can provide uniform sealing pressure and ensure reliable sealing. The clamp uses the welding structure to guarantee the reliability of the hose clamp. They are designed for heavy-duty trucks, industrial machinery, off-road equipment, agricultural irrigation and machinery with high vibration and large-diameter applications.

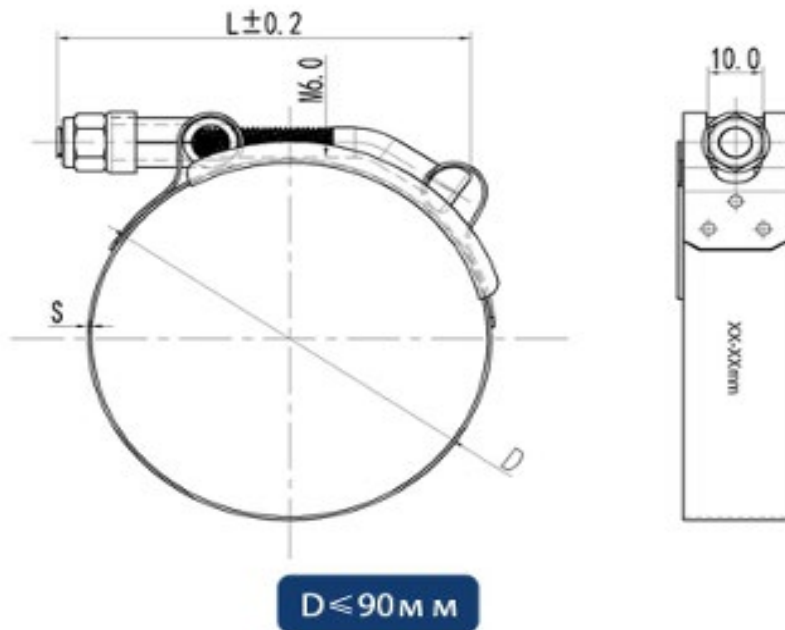


Product Specification:

- Material: Stainless Steel W2 & W4
- Fastening Type: HEX M10
- Non-Hazardous Product
- Clamps are RoHS compliant

HS Tariff Code: 73269092

Type	Bandwidth (mm)	(A) Size Diameter (mm)	Material	Thickness (mm)	Length (mm)	S (mm)
T-Bolt (T-Type) Hose Clamp	19mm	36	W2/W4	1mm	65	0.6/0.8/1.0
		42			65	0.6/0.8/1.0
		49			65	0.6/0.8/1.0
		51			65	0.6/0.8/1.0
		54			75	0.6/0.8/1.0
		57			75	0.6/0.8/1.0
		64			75	0.6/0.8/1.0
		70			75	0.6/0.8/1.0
		76			75	0.6/0.8/1.0
		80			85	0.6/0.8/1.0
		83			85	0.6/0.8/1.0
		87			85	0.6/0.8/1.0
		90			85	0.6/0.8/1.0
		92			85	0.6/0.8/1.0
		96			85	0.6/0.8/1.0
100	85	0.6/0.8/1.0				



Boltza® is Trademark of Digital Isle Limited
 Unit 15, Cowan's Yard
 39 Newtown Road, Camlough, BT35 7JJ
 Tel: 02830278150 Fax: 02830278150
 E-mail: sales@on1shelf.com